

SPECIFICATION SHEET



MasterSeries® 860

Reduced Pressure Zone Assemblies

Size: 2½" - 10" (65mm - 250mm)

The FEBCO Master Series® 860 Reduced Pressure Zone Assemblies are designed for health hazard applications.
End connections – Flanged ANSI B16.1 Class 125

Pressure – Temperature

Max. Working Pressure:	175psi (12.1 bar)
Hydrostatic Test Press:	350psi (24.1 bar)
Temperature Range:	32°F to 140°F (0°C to 60°C)

Materials

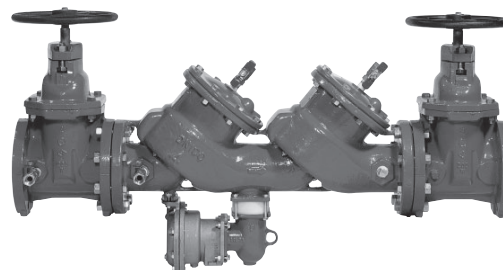
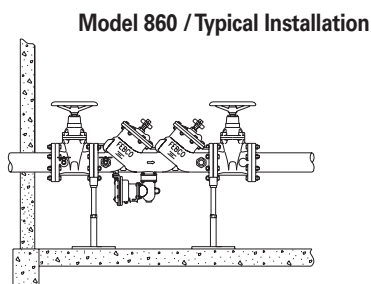
Main Valve Body:	Ductile iron Grade 65-45-12
Coating:	Fusion epoxy coated internal and external AWWA C550-90
Shutoff Valves:	NRS and OS&Y resilient wedge gate valves AWWA C509
Trim:	Bronze Alloy C83600
Elastomer Discs:	EPDM
Spring:	Stainless steel
Clamp:	AWWA C606 (10" only, 250mm)

Approvals – Standards

- ANSI/AWWA (C511-89) - 2½" - 10"
- Approved by the Foundation for Cross-connection Control and Hydraulic Research at the University of Southern California. - 2½" - 8" (65 - 200mm)

 1013 2½" - 10" 65 - 250mm	 B64.4 2½" - 8" 65 - 200mm	 CLASSIFIED C UL US 2½" - 8" 65 - 200mm	 Approved 2½" - 8" 65 - 200mm
--	--	---	---

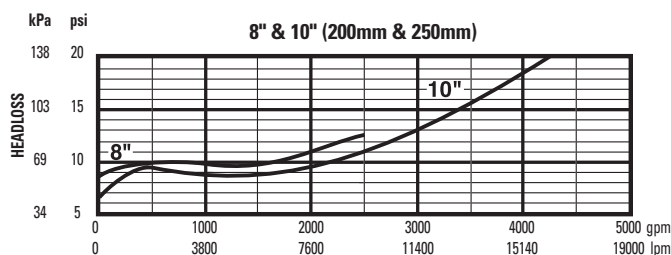
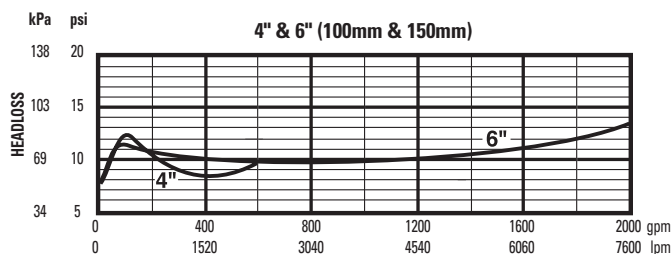
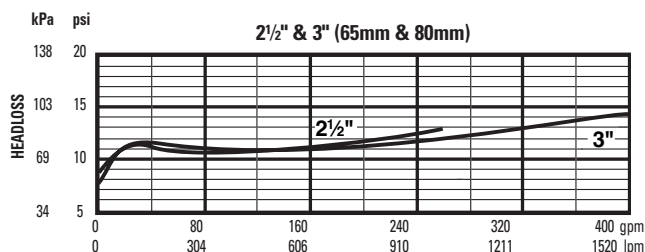
Typical Installation



MODEL 860 REDUCED PRESSURE ASSEMBLY

U.S. Patent No. 4,989,635

Capacity



Job Name _____

Job Location _____

Engineer _____

Approval _____

Contractor _____

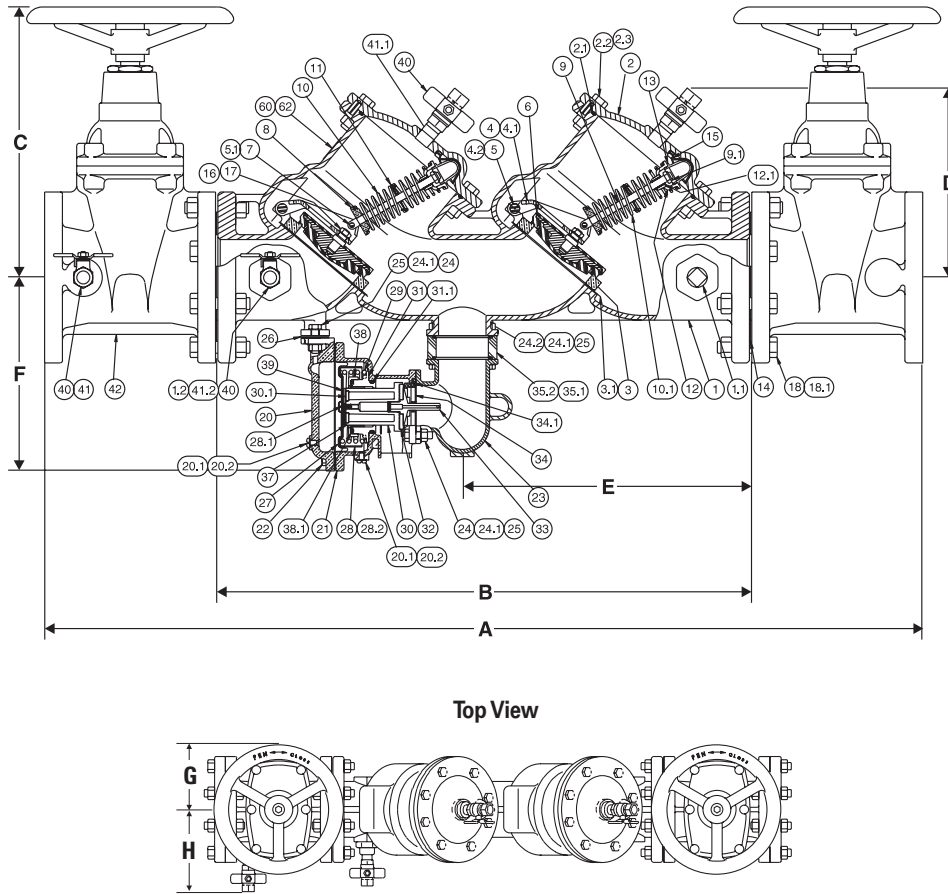
Approval _____

Contractor's P.O. No. _____

Representative _____

FEBCO product specifications in U.S. customary units and metric are approximate and are provided for reference only. For precise measurements, please contact FEBCO. FEBCO reserves the right to change or modify product design, construction, specifications, or materials without prior notice and without incurring any obligation to make such changes and modifications on FEBCO products previously or subsequently sold.

Series 860 / Materials of Construction



#	DESCRIPTION	MATERIAL
1	Body	A536 GR 65-45-12
1.1	Pipe Plug	Galv. Stl.
1.2	Bushing (2 1/2"-4" Only)	Brass
2	Cover	A536 GR 65-45-12
2.1	O-Ring	EPDM ASTM D2000
2.2	Cap Screw	Plated Steel
2.3	Hex Nut	Plated Steel
3	Seat Ring	B584 Alloy C83600
3.1	Gasket	EPDM ASTM D2000
3.2	Socket Head Screw	18-8-SS
3.3	Washer	304 SS
3.4	Elastic Stop Nut	18-8-SS
4	Arm	B584 Alloy C83600
4.1	Bushing-Swing Pin	Acetal Resin
4.2	Swing Pin	304 SS
5	Retaining Clip	302 SS
5.1	Retaining Clip	302 SS
6	Check Disk	EPDM Coated GR, 45 Ductile Iron with A276 type 304SS stem
7	Load Pin	B150 Alloy C61300
8	Lvr Spring Retrnr	B584 Alloy C83600
9	Spring Stem	304 SS
9.1	Elastic Stop Jam Nut	18-8 SS
10	Spring	A313 Type 631 SS
10.1	Spring 2nd Check	A313 Type 631 SS
10.2	Spring Shim 2nd Check	Acetal Resin
11	Spring Guide	B130 Alloy C22000
12	Upr Spring Retrnr	B584 Alloy C83600
12.1	Bushing-Spr. Stem	Acetal Resin
13	Pivot Bearing	B585 Alloy C83600
14	Flange Gasket	Rubber/Fabric
15	Bearing Socket	Acetal Resin
16	Hex Jam Nut	18-8 SS
17	Washer	302 SS
18	Flange Nut	Plated Steel
18.1	Flange Nut	Plated Steel
20	R.V. Cover	B584 Alloy C83600
20.1	Bleed Screw	18-8 SS
20.2	Gasket	HDPE
21	R.V. Body	B584 Alloy C83600
22	Cover Bolt	18-8 SS
23	Elbow	A536 GR 65-45-12
24	RV Mtg Bolt	Plated Steel
24.1	Washer	Plated Steel
25	RV Mtg Nut	Plated Steel
26	Gasket	EPDM
27	Lrg. Diaphragm	Nitrile ASTM D2000
28	Button	A240 304 SS
28.1	Flow Washer	Acetal Resin
29	RV Spring	A313 Type 302 SS
30	RV Stem	Acetal Resin
31	Main Guide	B584 Alloy C83600
31.1	Main Guide O-Ring	FDA EPDM
32	Seat Disc	EPDM AST D2000
33	Lower Guide	Acetal Resin
34	Seat Ring	B584 Alloy C83600
34.1	O-ring	FDA EPDM
35.1	O-Ring	EPDM ASTM D2000
35.2	Extension	Acetal Resin
37	Sm. Diaphragm	Nitrile ASTM D2000
38	Retainer	B584 Alloy C83600
38.1	Slip Ring	Acetal Resin
39	Flow Washer	Acetal Resin
40	Ball Valve	B584 Alloy C84400
41	Nipple	Brass
41.1	Nipple	Brass
41.2	Nipple	Brass
42	Gate Valve (NRS)	AWWA C509
60	Identification Plate	B36 Alloy C26000
62	Drive Screw	Stainless Steel
70	Clamp	AWWA C606 (10" Only)

Dimensions – Weight

Size: 2 1/2" - 10" (65 - 80mm)

SIZE (DN)		DIMENSIONS												WEIGHT							
		A		B		C		D		E		F		G		H		NRS		OS&Y	
in.	mm	in.	mm	in.	mm	in.	mm	in.	mm	in.	mm	in.	mm	in.	mm	in.	mm	lbs.	kgs.	lbs.	kgs.
2 1/2	65	40 3/4	1035	25 1/2	648	12 5/8	321	10	254	12 7/8	327	10	254	4 1/2	114	7 1/8	181	219	99	223	101.2
3	80	41 7/8	1064	25 5/8	651	12 7/8	327	10	254	13	330	10	254	4 1/2	114	7 3/8	187	231	105	233	105.7
4	100	46 1/4	1175	28	711	14 3/8	365	10 1/8	257	15 1/8	384	10 1/8	257	5 1/2	140	8 1/8	206	317	144	334	151.5
6	150	56	1422	34 3/4	883	18 7/8	479	12 3/4	324	20 3/4	527	11 1/8	283	6 1/2	165	9 7/8	251	481	218	516	234.1
8	200	65	1651	41 3/4	1061	23 1/2	570	15 5/8	397	26 7/8	683	12 1/4	311	7	178	11 1/8	283	734	333	796	361.1
10	250	72 5/8	1845	46 3/8	1178	27 1/2	699	15 5/8	397	28 1/4	718	12 3/8	314	9	229	12 3/8	314	946	429	1008	457.2

Note: Dimensions shown are nominal. Allowances must be made for normal manufacturing tolerances.

Note: The gap drain is not designed to catch the maximum discharge possible from the relief valve. The installation of FEBCO air gap with the drain line terminating above a floor drain will handle any normal discharge or nuisance spitting through the relief valve. However, floor drain size may need to be designed to prevent water damage caused by a catastrophic failure condition. Do not reduce the size of the drain line from the air gap fitting.



A Division of Watts Water Technologies, Inc.

USA: 4381 N. Brawley • Ste. 102 • Fresno, CA • 93722 • Tel. (559) 441-5300 • Fax: (559) 441-5301 • www.FEBCOonline.com
 Canada: 5435 North Service Rd. • Burlington, ONT. • L7L 5H7 • Tel. (905) 332-4090 • Fax: (905) 332-7068 • www.FEBCOonline.ca